



Network

Мультисенсорные

TNM-3620TDY

Камера для определения температуры

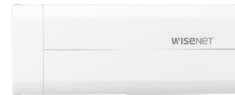
FC |  | CE | ENEC

Key Features

- Два спектра: QVGA, термодатчик и датчик видимого диапазона 2 Мп
- Встроенный объектив 4,7 мм с постоянным фокусом (тепловизионный), 4 мм с постоянным фокусом (видимого диапазона)
- Два режима измерения температуры
 - Режим измерения расчетной температуры тела
30- 45°C (86 - 113°F) / $\pm 0,5^{\circ}\text{C}$ ($\pm 0,3^{\circ}\text{C}$ с черным телом)
 - Обычный режим радиометрического измерения
: -20 - 130°C (-4 - 266°F) / $\pm 5^{\circ}\text{C}$ ($\leq 100^{\circ}\text{C}$), $\pm 20\%$ ($> 100^{\circ}\text{C}$)
- Аналитика определения лиц и температуры на основе искусственного интеллекта
- Слот для карт памяти micro SD/SDHC/SDXC (макс. 256 Гб)
- Технология PoE+(IEEE802.3at), 12 В пост. тока

TNM-3620TDY

Камера для определения температуры



Specifications

Video

Imaging Device	Uncooled micro bolometer (320x240)	1/2.8" 2MP CMOS
Resolution	1280x960, 640x480, 320x240	1920x1080, 1280x1024, 1280x960, 1280x720, 1024x768, 800x600, 800x448, 720x576, 720x480, 640x480, 640x360, 320x240
Max. Framerate	H.265/H.264: Max. 30fps/25fps(60Hz/50Hz) MJPEG: Max. 30fps/25fps(60Hz/50Hz)	
NETD	< 60mK	None
Pixel size	12µm	None
Min. Illumination	None	Color: 0.05 lux(F1.6, 1/30sec) B/W: 0.005 lux(F1.6, 1/30sec)
Video Out	CVBS: 1.0 Vp-p / 75Ω composite, 720x480(N), 720x576(P) for installation USB : Micro USB Type B, 1280x720 for installation	

Lens

Focal Length (Zoom Ratio)	4.7mm fixed focal	4mm fixed focal
Max. Aperture Ratio	F1.0	F1.6
Angular Field of View	H: 50.0°, V: 36.4°, D: 65.3°	H: 87.6°, V: 46.4°, D: 104.5°
Min. Object Distance	1m(3.28ft)	None
Focus Control	Fixed	

Operational

Camera Title	Displayed up to 85 characters	
Day & Night	None	Auto(ICR)
Backlight Compensation	None	BLC, WDR, SDDR
Wide Dynamic Range	None	extremeWDR(150dB)
Digital Noise Reduction	None	SSNR V
Digital Image Stabilization	Support(built-in gyro sensor)	
Motion Detection	8ea, 8point polygonal zones	
Privacy Masking	32ea, polygonal zones - Color: Grey/Green/Red/Blue/Black/White - Mosaic	
Gain Control	None	Low / Middle / High
White Balance	None	ATW / AWC / Manual / Indoor / Outdoor
LDC	None	Support
Electronic Shutter Speed	None	Minimum / Maximum / Anti flicker(2~1/12,000sec)
Video Rotation	Flip, Mirror	
Analytics	EBT mode : Temperature detection, Blackbody error Normal mode : Directional detection, Motion detection, Enter/Exit, Tampering, Virtual line, Audio detection, Temperature detection *EBT : Estimated Body Temperature	
Alarm I/O	Input 1ea / Output 2ea	
Alarm Triggers	Analytics, Network disconnect, Alarm input	
Alarm Events	File upload via FTP and e-mail Notification via e-mail SD/SDHC/SDXC or NAS recording at event triggers Alarm output Handover (normal mode only) Audio playback Beep alarm (EBT mode only)	

Audio In	Selectable(mic in/line in) Supply voltage: 2.5VDC(4mA), Input impedance: 2K Ohm	
Audio Out	Line out, Max.output level: 1Vrms	
Color Palettes	EBT Mode (thermal face detection) : Whitehot EBT (visible face detection) & Normal mode : Whitehot, Blackhot, Rainbow, Rainbow2, Sepia, Red, Iron, Custom	None

Radiometry

Temperature Detect Range	Estimated body temperature mode : 30~45°C(86°F~113°F) Normal mode : -20~+130°C(-4°F~+266°F)	None
Temperature Accuracy	Estimated body temperature mode : ±0.5°C(±0.3°C with Blackbody) Normal mode : ±5°C(≤100°C), ±20%(>100°C)	None
Temperature Detection	3ea rectangular (normal mode)	None
Additional	Hybrid palettes (normal mode), Spot temperature reading (normal mode)	None

Network

Ethernet	Metal shielded RJ-45(10/100BASE-T)	
Video Compression	H.265/H.264: Main/Baseline/High, MJPEG	
Audio Compression	G.711 u-law /G.726 Selectable G.726(ADPCM) 8KHz, G.711 8KHz G.726: 16Kbps, 24Kbps, 32Kbps, 40Kbps AAC-LC: 48Kbps at 16KHz	
Smart Codec	WiseStream II	Manual(Sea area), WiseStream II
Bitrate Control	H.264/H.265: CBR or VBR MJPEG: VBR	
Streaming	Unicast(20 users) / Multicast Multiple streaming(Up to 6 profiles)	
Protocol	IPv4, IPv6, TCP/IP, UDP/IP, RTP(UDP), RTP(TCP), RTCP,RTSP, NTP, HTTP, HTTPS, SSL/TLS, DHCP, FTP, SMTP, ICMP, IGMP, SNMPv1/v2c/v3(MIB-2), ARP, DNS, DDNS, QoS, PIM-SM, UPnP, Bonjour, LLDP	
Security	HTTPS(SSL) login authentication Digest login authentication IP address filtering User access log 802.1X authentication(EAP-TLS, EAP-LEAP) Device certificate(Hanwha Techwin Root CA)	
Application Programming Interface	ONVIF Profile S/T SUNAPI(HTTP API)	

General

Webpage Language	English, Korean, Chinese, French, Italian, Spanish, German, Japanese, Russian, Swedish, Portuguese, Czech, Polish, Turkish, Dutch, Hungarian, Greek
Edge Storage	Micro SD/SDHC/SDXC 1slot 256GB
Memory	4608MB RAM, 512MB Flash

Environmental & Electrical

Operating Temperature / Humidity	EBT mode : +10°C~+35°C(+50°F~+95°F) / Less than 95% RH Normal mode : -10°C~+55°C(+14°F~+131°F) / Less than 95% RH
Storage Temperature / Humidity	-30°C~+60°C(-22°F~+140°F) / Less than 95% RH
Input Voltage	PoE+(IEEE802.3at, Class4), 12VDC
Power Consumption	PoE+: Max. 17.0W, typical 12.5W 12VDC: Max. 14.5W, typical 11.0W

Mechanical

Color / Material	White / Aluminum
RAL Code	RAL9003
Product Dimensions / Weight	135(W)x75(H)x188.5(D)mm, (5.31x2.95x7.42"), 1.7kg(3.77lb)

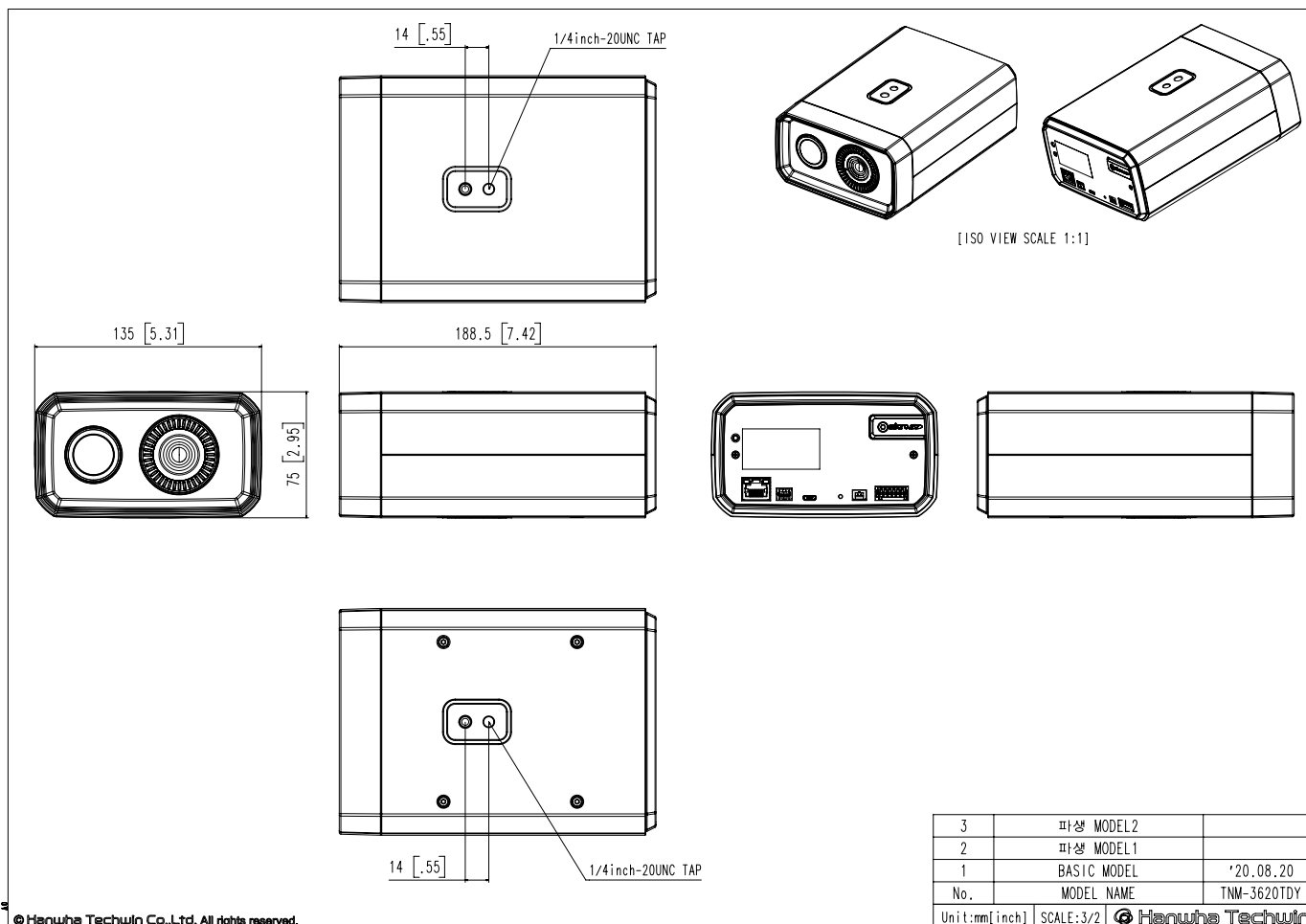
TNM-3620TDY

Камера для определения температуры



CAD

Unit: mm [inch]



© Hanwha Techwin Co.,Ltd. All rights reserved.