



Network

Корпусные

XNB-8002

6МП сетевая корпусная камера

FC | UL | CE | EAC

Key Features

- Разрешение 6 Мп
- 0,05 лк при F1.2 (цветн.), 0,005 лк (Ч/Б)
- До 30 кад/с при 6 Мп (H.265 / H.264)
- Дневной и ночной (с выдвигаемым ИК фильтром) режимы, extreme WDR (120 дБ)
- Цифровая стабилизация изображения со встроенным гироскопическим датчиком
- Видеоаналитика (обнаружение расфокусировки, обнаружение направления, обнаружение аудио, обнаружение удара, определение лица/верхней части тела)
- Цифровое автоматическое слежение, распознавание звуков по типам
- Обнаружение движения, передача данных на PTZ камеру
- Два слота для карты памяти SD (макс. 1ТБ)
- Поддержка WiseStream II
- Сертифицировано UL CAP

Compatible Accessories (Optional)



SHB-4301HP



STB-4150V

XNB-8002

6МП сетевая корпусная камера



Specifications

Video

Imaging Device	1/2.8" CMOS
Resolution	3328x1872, 3072x1728, 2592x1944, 2688x1520, 1920x1080, 1600x1200, 1280x1024, 1280x960, 1280x720, 1024x768, 800x600, 800x448, 720x576, 720x480, 640x480, 640x360, 320x240
Max. Framerate	H.265/H.264: Max. 30fps/25fps(60Hz/50Hz) MJPEG: Max. 15fps/12fps(60Hz/50Hz)
Min. Illumination	Color: 0.05Lux(F1.2, 1/30sec) B/W: 0.005Lux
Video Out	CVBS: 1.0 Vp-p / 75Ω composite, 720x480(N), 720x576(P) for installation USB: Micro USB Type B, 1280x720 for installation

Lens

Focus Control	Simple focus
Lens Type	DC auto iris, P iris, Manual, I-CS
Mount Type	C mount, CS mount

Operational

Camera Title	Displayed up to 85 characters
Day & Night	Auto(ICR)
Backlight Compensation	BLC, HLC, WDR, SSSDR
Wide Dynamic Range	extremeWDR(120dB)
Digital Noise Reduction	SSNR V
Digital Image Stabilization	Support(built-in gyro sensor)
Defog	Support
Motion Detection	8ea, 8point Polygonal zones
Privacy Masking	32ea, polygonal zones - Color : Gray, Green, Red, Blue, Black, White - Mosaic
Gain Control	Support
White Balance	ATW / Narrow ATW / AWC / Manual / Indoor / Outdoor
LDC	Support
Electronic Shutter Speed	Minimum / Maximum / Anti flicker (1/5~1/12,000sec)
Video Rotation	Flip, Mirror, Hallway view(90°/270°)
Analytics	Defocus detection, Directional detection, Motion detection, Digital auto tracking, Appear/Disappear, Enter/Exit, Loitering, Tampering, Fog detection, Virtual line, Audio detection, Sound classification, Shock detection, Face/upper body detection
Business Intelligence	People counting, Queue management, Heatmap
Serial Interface	RS-485(Samsung-T, Pelco-D/P, Panasonic, Bosch, AD, GE, Vicon, Honeywell)
Alarm I/O	2 configurable I/O ports
Alarm Triggers	Analytics, Network disconnect, Alarm input
Alarm Events	File upload via FTP and e-mail Notification via e-mail SD/SDHC/SDXC or NAS recording at event triggers Alarm output PTZ Preset Handover Audio playback
Audio In	Selectable(mic in/line in/Built-in mic) Supply voltage: 2.5VDC(4mA), Input impedance: 2K Ohm

Audio Out Line out, Max.output level: 1Vrms

Network

Ethernet	Metal shielded RJ-45(10/100/1000BASE-T)
Video Compression	H.265/H.264: Main/High, MJPEG
Audio Compression	G.711 u-law /G.726 Selectable G.726(ADPCM) 8KHz, G.711 8KHz G.726: 16Kbps, 24Kbps, 32Kbps, 40Kbps AAC-LC: 48Kbps at 16KHz
Smart Codec	Manual(5ea area), WiseStream II
Bitrate Control	H.264/H.265: CBR or VBR MJPEG: VBR
Streaming	Unicast(20 users) / Multicast Multiple streaming(Up to 10 profiles)
Protocol	IPv4, IPv6, TCP/IP, UDP/IP, RTP(UDP), RTP(TCP), RTCP,RTSP, NTP, HTTP, HTTPS, SSL/TLS, DHCP, FTP, SMTP, ICMP, IGMP, SNMPv1/v2c/v3(MIB-2), ARP, DNS, DDNS, QoS, UPnP, Bonjour, LLDP, SRTP (TCP, UDP Unicast)
Security	HTTPS(SSL) Login Authentication Digest Login Authentication IP Address Filtering User access log 802.1X Authentication(EAP-TLS, EAP-LEAP) Device Certificate(Hanwha Techwin Root CA) CyberSecurity assurance program UL CAP (UL 2900-1)
Application Programming Interface	ONVIF Profile S/G/T SUNAPI(HTTP API) Wisenet open platform

General

Webpage Language	English, Korean, Chinese, French, Italian, Spanish, German, Japanese, Russian, Swedish, Portuguese, Czech, Polish, Turkish, Dutch, Hungarian, Greek
Edge Storage	Micro SD/SDHC/SDXC 2slot 1TB(512GBx2)
Memory	4GB RAM, 512MB Flash

Environmental & Electrical

Operating Temperature / Humidity	-10°C ~ +55°C(+14°F ~ +131°F) / Less than 95% RH (non condensing)
Storage Temperature / Humidity	-50°C ~ +60°C(-58°F ~ +140°F) / Less than 90% RH
Input Voltage	PoE(IEEE802.3af), 12VDC, 24VAC
Power Consumption	PoE: Max 12.95W, typical 8.2W 12VDC: Max 11.5W, typical 7.5W 24VAC: Max 13.5W, typical 8.9W Power redundancy failover

Mechanical

Color / Material	Black / Aluminum
Product Dimensions / Weight	81(W)x67(H)x165(D)mm(3.19x2.64x6.48"), 0.88kg(1.94 lb)

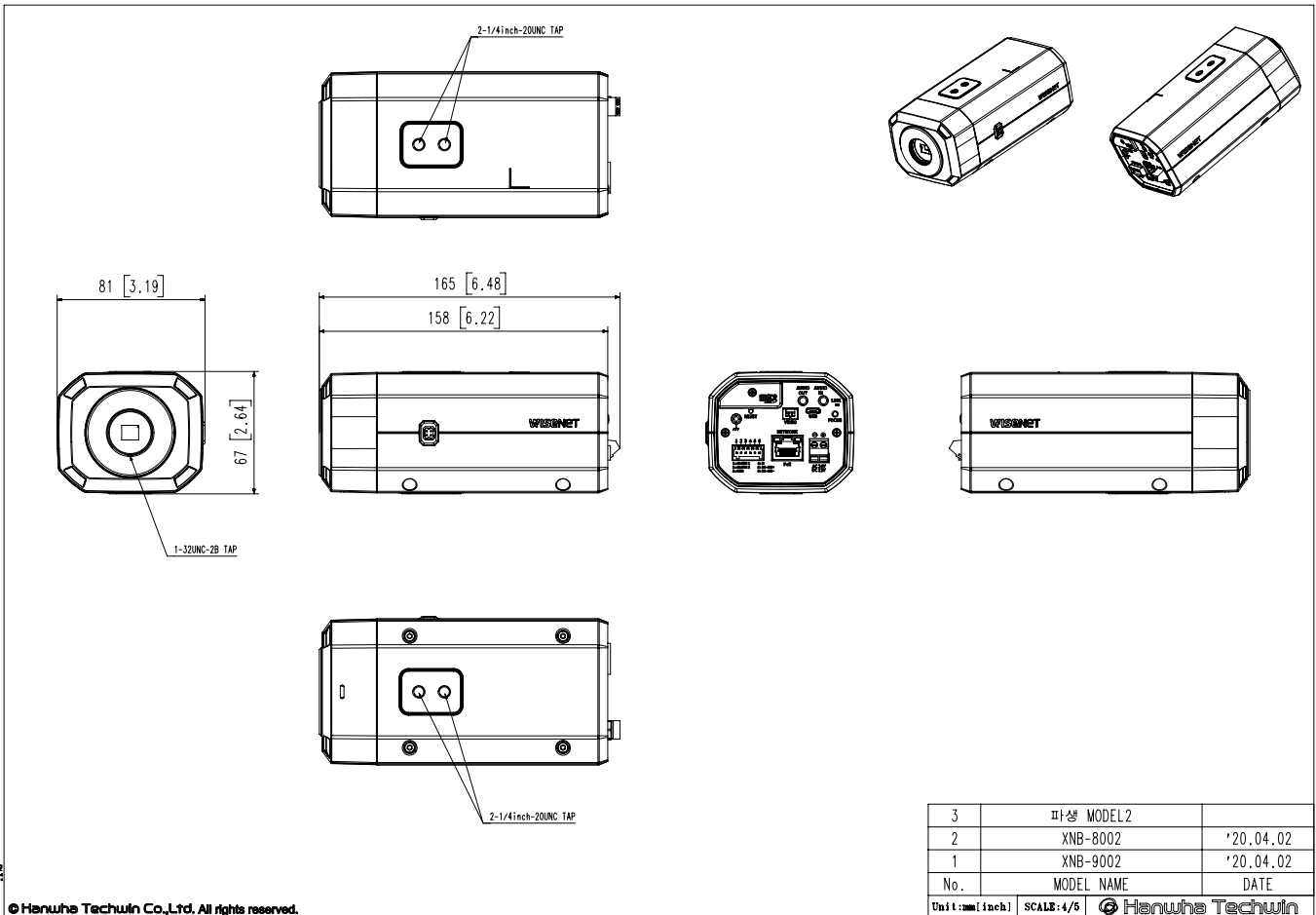
XNB-8002

6MP сетевая корпусная камера



CAD

Unit: mm [inch]



A2

© Hanwha Techwin Co., Ltd. All rights reserved.