



Network

Купольные

## XNV-C9083R

4K AI IR Vandal Dome Camera

FC |  | CE | EAC

### Key Features

- 4K resolution
- 4.4-9.3mm (2.1x) motorized varifocal
- Color: 0.04 Lux (F1.3, 1/30sec, 30IRE), 0 Lux (IR LED on)
- Maximum 30 fps (H.265/H.264)
- WiseIR: IR viewable length 40 m (131.23 ft)
- Day & Night (ICR), extremeWDR (120 dB)
- Hard-coated dome bubble
- WiseNR II (Based on AI engine), WiseStreamIII (Based on AI engine)
- Analytics events based on AI engine (NPU) : Object detection (Person/Face/Vehicle - car, truck, bus, bicycle, motorcycle/License plate), IVA (Virtual line/Area, Enter/Exit, Loitering, Direction, Intrusion)
- Analytics events : Defocus detection, Motion detection, Tampering, Fog detection  
Audio detection, Sound classification, Shock detection, Appear/Disappear
- IP66, IP67, NEMA4X, IK10

### Compatible Accessories (Optional)



SBP-167HMW

# XNV-C9083R

4K AI IR Vandal Dome Camera



## Specifications

### Video

|                   |   |
|-------------------|---|
| Imaging Device    | 1/1.8" progressive CMOS   |
| Resolution        | 3840x2160, 3328x1872, 3072x1728, 2592x1944, 2688x1520, 1920x1080, 1600x1200, 1280x1024, 1280x960, 1280x720, 1024x768, 800x600, 800x448, 720x576, 720x480, 640x480, 640x360, 320x240 |
| Max. Framerate    | H.265/H.264: Max. 30fps/25fps(60Hz/50Hz)<br>MJPEG: Max. 15fps/12fps(60Hz/50Hz)  |
| Min. Illumination | Color: 0.04Lux(F1.3, 1/30sec, 30IRE)<br>BW: 0.004Lux(F1.3, 1/30sec, 30IRE), 0Lux(IR LED on)   |
| Video Out         | USB: Micro USB Type B, 1280x720 for installation  |

### Lens

|                           |   |
|---------------------------|---|
| Focal Length (Zoom Ratio) | 4.4~9.3mm(2.1x) motorized varifocal   |
| Max. Aperture Ratio       | F1.3(Wide) ~ F2.15(Tele)  |
| Angular Field of View     | H : 112.1°(Wide)~47.5°(Tele)<br>V : 58.0°(Wide)~26.6°(Tele)<br>D : 137.5°(Wide)~54.6°(Tele) |
| Min. Object Distance      | 0.5m(1.64ft)  |
| Focus Control             | Simple focus, Manual  |
| Lens Type                 | P-iris(IR corrected)  |

### Pan / Tilt / Rotate

|                           |                              |
|---------------------------|------------------------------|
| Pan / Tilt / Rotate Range | 0°~360° / -45°~75° / 0°~355° |
|---------------------------|------------------------------|

### Operational

|                             |  |
|-----------------------------|--|
| Camera Title                | Displayed up to 85 characters  |
| Day & Night                 | Auto(ICR)  |
| Backlight Compensation      | BLC, HLC, WDR, SSSDR   |
| Wide Dynamic Range          | extremeWDR (120dB)   |
| Digital Noise Reduction     | WiseNR II (Based on AI engine), SSNR V   |
| Digital Image Stabilization | Support(built-in gyro sensor)  |
| Defog                       | Support  |
| Motion Detection            | 8ea, 8point Polygonal zones  |
| Privacy Masking             | 32ea, Quadrangle zones<br>- Color : Gray, Green, Red, Blue, Black, White<br>- Mosaic   |
| Gain Control                | Support  |
| White Balance               | ATW / Narrow ATW / AWC / Manual / Indoor / Outdoor   |
| LDC                         | Support (Fill/stretch mode)  |
| Electronic Shutter Speed    | Minimum / Maximum / Anti flicker (2~1/12,000sec)<br>prefer shutter control(Based on AI engine)   |
| Video Rotation              | Flip, Mirror, Hallway view(90°/270°)   |
| Analytics                   | - Analytics events based on AI engine : Object detection (Person/Face/Vehicle(car/bus/truck/motorcycle/bicycle)/License plate), IVA (Virtual line/Area, Enter/Exit, Loitering, direction, Appear/Disappear, intrusion)<br>- Analytics events : Defocus detection, Motion detection, Tampering, Fog detection, Audio detection, Sound classification, Shock detection |
| Business Intelligence       | Based on AI engine : People counting, Queue management, Heatmap  |
| Alarm I/O                   | 2 configurable I/O ports   |

|                           |  |
|---------------------------|--|
| <b>Alarm Triggers</b>     | Analytics, Network disconnect, Alarm input, App event, Time schedule   |
| <b>Alarm Events</b>       | When alarm trigger occurred<br>- File upload(image) : e-mail/FTP<br>- Notification : e-mail<br>- Recording : SD/SDHC/SDXC or NAS recording at event triggers<br>- Alarm output<br>- Handover(P TZ preset, Send message by HTTP/HTTPS/TCP)<br>- Audio clip playback |
| <b>Audio In</b>           | Selectable(mic in/line in)<br>Supply voltage: 2.5VDC(4mA), Input impedance: 2K Ohm   |
| <b>Audio Out</b>          | Line out, Max.output level: 1Vrms  |
| <b>IR Viewable Length</b> | WiselR 40m(131.23ft)   |

## Network

|  |  |
|--|--|
| <b>Ethernet</b>                          | Metal shielded RJ-45(10/100BASE-T)   |
| <b>Video Compression</b>                 | H.265/H.264: Main/High, MJPEG  |
| <b>Audio Compression</b>                 | G.711 u-law /G.726 Selectable<br>G.726(ADPCM) 8KHz, G.711 8KHz<br>G.726: 16Kbps, 24Kbps, 32Kbps, 40Kbps<br>AAC-LC: 48Kbps at 16KHz   |
| <b>Smart Codec</b>                       | Manual(5ea area), WiseStream II , WiseStreamIII(Based on AI engine)  |
| <b>Bitrate Control</b>                   | H.264/H.265: CBR or VBR<br>MJPEG: VBR  |
| <b>Streaming</b>                         | Unicast(20 users) / Multicast<br>Multiple streaming(Up to 10 profiles, 3 virtual channel support)  |
| <b>Protocol</b>                          | IPv4, IPv6, TCP/IP, UDP/IP, RTP(UDP), RTP(TCP), RTCP,RTSP, NTP, HTTP, HTTPS, SSL/TLS, DHCP, FTP, SMTP, ICMP, IGMP, SNMPv1/v2c/v3(MIB-2), ARP, DNS, DDNS, QoS, UPnP, Bonjour, LLDP, SRTP (TCP, UDP Unicast)   |
| <b>Security</b>                          | HTTPS(SSL) Login Authentication<br>Digest Login Authentication<br>IP Address Filtering<br>User access log<br>802.1X Authentication(EAP-TLS, EAP-LEAP, EAP-PEAP MSCHAPv2)<br>Device Certificate(Hanwha Techwin Root CA, pre-installed)<br>Secure by default certificate<br>HTPM (Hanwha Trusted platform module)<br>Secure OS/Boot/Storage, Verify firmware forgery<br>CyberSecurity assurance program UL CAP (UL 2900-1) |
| <b>Application Programming Interface</b> | ONVIF Profile S/G/T<br>SUNAPI(HTTP API)<br>Wisenet open platform   |

## General

|                         |   |
|-------------------------|---|
| <b>Webpage Language</b> | English, Korean, Chinese, French, Italian, Spanish, German, Japanese, Russian, Swedish, Portuguese, Czech, Polish, Turkish, Dutch, Greek, Hungarian |
| <b>Edge Storage</b>     | Micro SD/SDHC/SDXC 1slot 512GB  |
| <b>Memory</b>           | 4GB RAM, 512MB Flash  |

## Environmental & Electrical

|   |   |
|---|---|
| <b>Operating Temperature / Humidity</b> | -40°C~+55°C(-40°F ~ +131°F)<br>* Maximum temperature : +60°C (intermittent)<br>* Start up should be done at above -20°C<br>NEMA TS-2 : 74°C<br>0~95%RH(non-condensing)<br>Humidity control /w GORE vent |
| <b>Storage Temperature / Humidity</b>   | -50°C ~ +60°C(-58°F ~ +140°F) / Less than 90% RH  |
| <b>Certification</b>                    | IP66/IP67/NEMA4X, IK10  |
| <b>Input Voltage</b>                    | PoE(IEEE802.3af, Class3), 12VDC   |
| <b>Power Consumption</b>                | PoE: Max 12.95W, typical 11.2W<br>12VDC: Max 13.2W, typical 10.8W   |

## Mechanical

|                                    |   |
|------------------------------------|---|
| <b>Color / Material</b>            | White / Aluminum<br>Hard-coated dome bubble |
| <b>RAL Code</b>                    | RAL9003                                     |
| <b>Product Dimensions / Weight</b> | Ø160x118mm(Ø6.30x4.65"), 1450g(3.20 lb)     |

Compatible Conduit hole / Gangbox                      1/2" (M20)  
single, double, 4" octagon, 4" square

---

**DORI (EN62676-4 standard)**

|                                  |  |
|----------------------------------|--|
| <b>Detect (25PPM/ 8PPF)</b>      | Wide: 51.7m(169.64ft) / Tele: 174.5m(572.64ft) |
| <b>Observe (63PPM/ 19PPF)</b>    | Wide: 20.7m(67.85ft) / Tele: 69.8m(229.06ft)   |
| <b>Recognize (125PPM/ 38PPF)</b> | Wide: 10.3m(33.93ft) / Tele: 34.9m(114.53ft)   |
| <b>Identify (250PPM/ 76PPF)</b>  | Wide: 5.2m(16.96ft) / Tele: 17.5m(57.26ft)     |

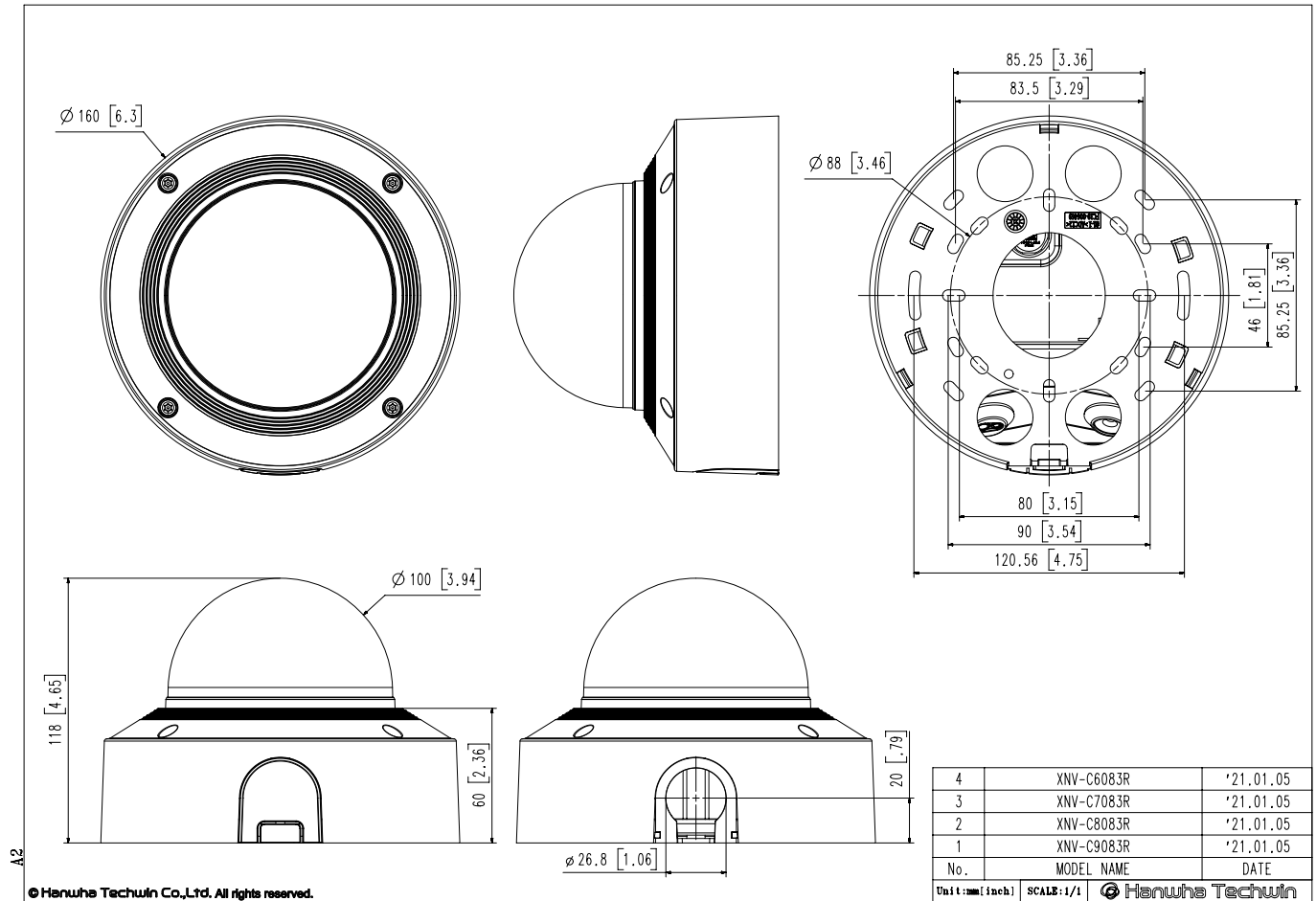
# XNV-C9083R

4K AI IR Vandal Dome Camera



CAD

Unit: mm [inch]



© Hanwha Techwin Co., Ltd. All rights reserved.