

WISeNET

NETWORK CAMERA

Quick Guide

XNV-6081/XNV-6081R/XNV-6081RE/XNV-6081Z/
XNV-8081R/XNV-8081RE/XNV-8081Z/
XND-6081RV/XND-6081REV/XND-6081VZ/
XND-8081RV/XND-8081REV/
XND-6081V/XND-8081VZ/
XND-6081F/XND-6081FZ/XND-6081RF/
XND-8081FZ/XND-8081RF



Important

Please check 'Manuals' from our website, before connecting to the Supply,
<https://www.hanwha-security.com/en/data-center/download-data/>

Warranty

Please check "Product warranty information" from our website.
<https://www.hanwha-security.com/support/warranty/>



Hanwha Techwin cares for the environment at all product manufacturing stages, and is taking measures to provide customers with more environmentally friendly products.

The Eco mark represents Hanwha Techwin's devotion to creating environmentally friendly products, and indicates that the product satisfies the EU RoHS Directive.



Correct Disposal of This Product (Waste Electrical & Electronic Equipment)

(Applicable in the European Union and other European countries with separate collection systems)

This marking on the product, accessories or literature indicates that the product and its electronic accessories (e.g. charger, headset, USB cable) should not be disposed of with other household waste at the end of their working life. To prevent possible harm to the environment or human health from uncontrolled waste disposal, please separate these items from other types of waste and recycle them responsibly to promote the sustainable reuse of material resources.

Household users should contact either the retailer where they purchased this product, or their local government office, for details of where and how they can take these items for environmentally safe recycling.

Business users should contact their supplier and check the terms and conditions of the purchase contract.

This product and its electronic accessories should not be mixed with other commercial wastes for disposal.



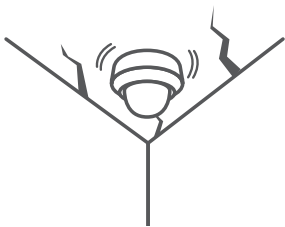
Correct disposal of batteries in this product

(Applicable in the European Union and other European countries with separate battery return systems.)

This marking on the battery, manual or packaging indicates that the batteries in this product should not be disposed of with other household waste at the end of their working life. Where marked, the chemical symbols Hg, Cd or Pb indicate that the battery contains mercury, cadmium or lead above the reference levels in EC Directive 2006/66. If batteries are not properly disposed of, these substances can cause harm to human health or the environment.

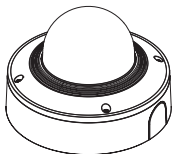
To protect natural resources and to promote material reuse, please separate batteries from other types of waste and recycle them through your local, free battery return system.

SAFETY INFORMATION



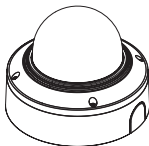
Outdoor Vandal Dome

XNV-6081/XNV-6081R/
XNV-6081RE/XNV-6081Z/
XNV-8081R/XNV-8081RE/
XNV-8081Z



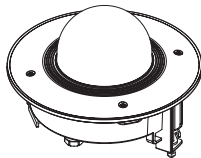
Indoor Vandal Dome

XND-6081RV/XND-6081REV/
XND-6081VZ/XND-8081RV/
XND-8081REV/XND-6081V/
XND-8081VZ



Flush Mount Dome

XND-6081F/XND-6081FZ/
XND-6081RF/XND-8081FZ/
XND-8081RF

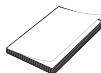
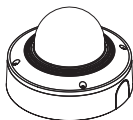


COMPONENT

As for each sales country, accessories are not the same.

- XNV-6081/XNV-6081R/XNV-6081RE/XNV-6081Z/XNV-8081R/XNV-8081RE/XNV-8081Z

* Module shape may vary by product.

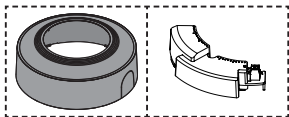


Module



Color : Ivory
XNV-6081/XNV-6081R/
XNV-6081Z/XNV-8081R/
XNV-8081Z Only

Options (not included)

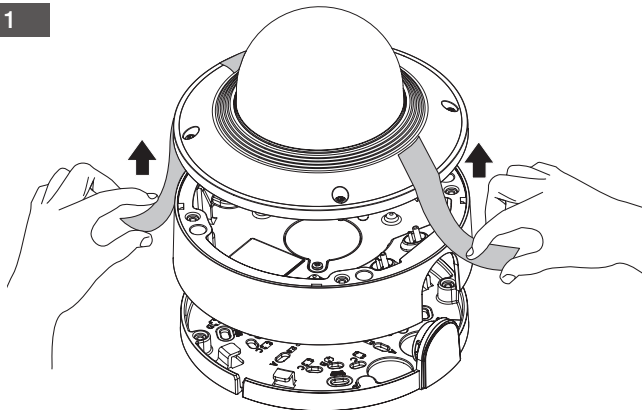


SBC-180B
(Color : Black)

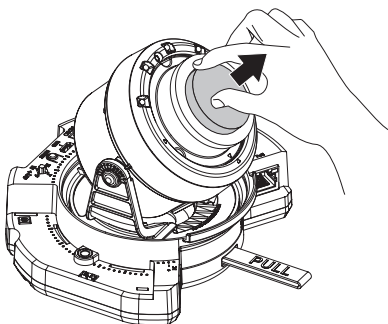
SPC-100AC
XNV-6081/XNV-6081R/
XNV-6081Z/XNV-8081R/
XNV-8081Z Only

INSTALLATION

1



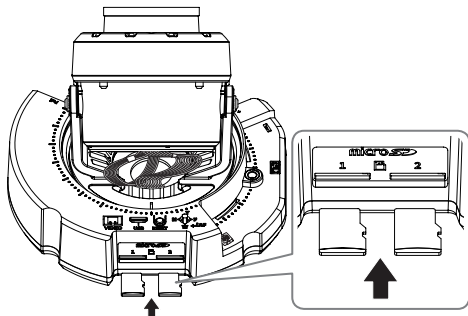
2



INSTALLATION

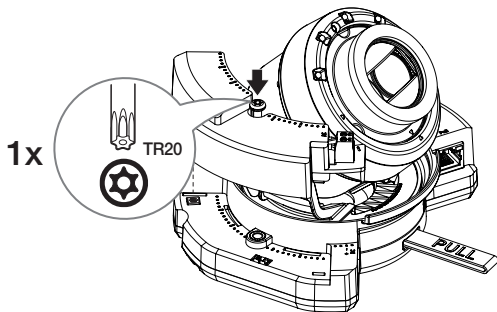
3

- Not Included : Micro SD Card



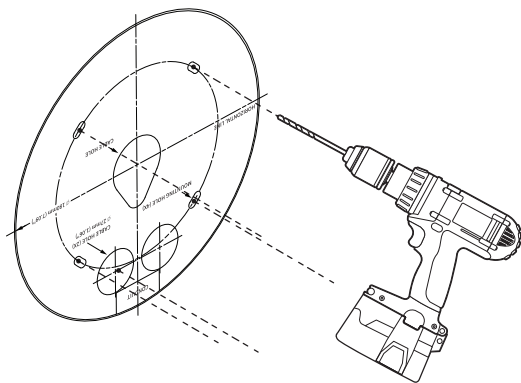
4

- Not Included : SPC-100AC (XNV-6081/XNV-6081R/XNV-6081Z/XNV-8081R/XNV-8081Z Only)



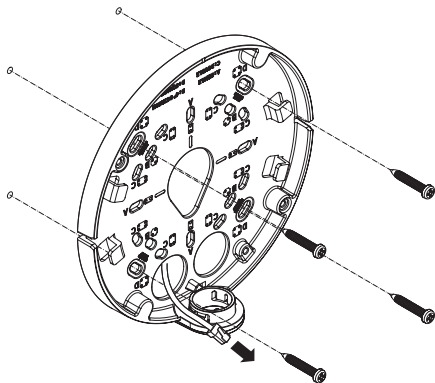
INSTALLATION

5



6

- Directly installing on wall/ceiling

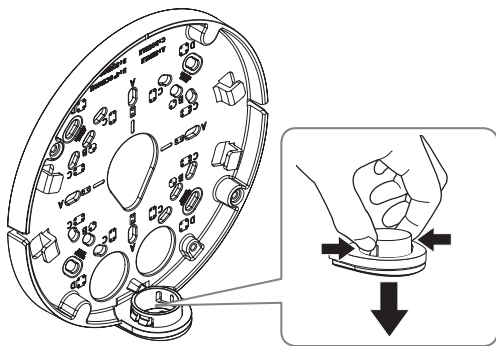


8

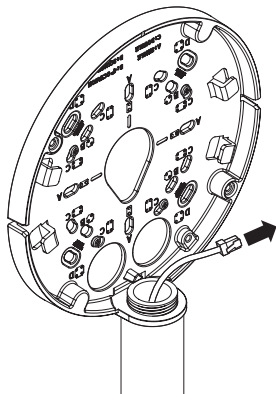
INSTALLATION

7-1

- Installing using pipe



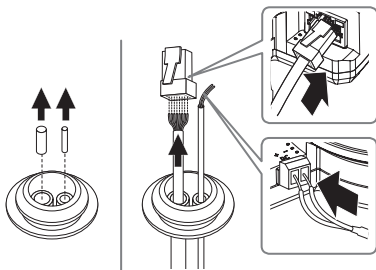
7-2



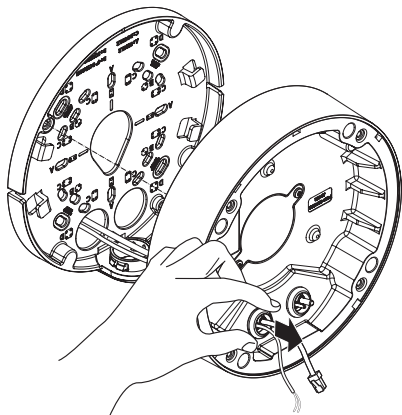
INSTALLATION

XNV-6081/XNV-6081R/XNV-6081Z/XNV-8081R/XNV-8081Z

8-1-1 • Installing LAN/power cables



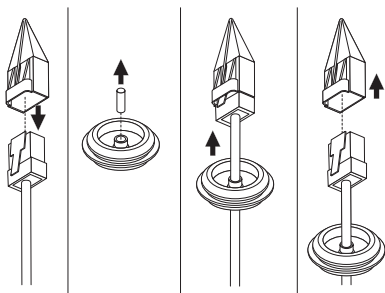
8-1-2



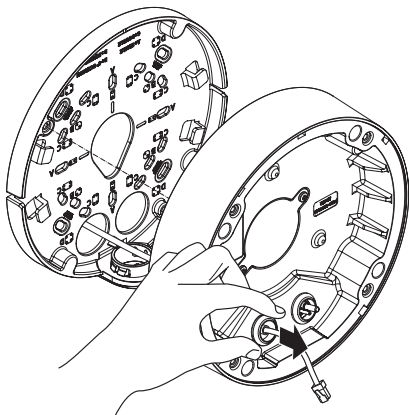
INSTALLATION

XNV-6081/XNV-6081R/XNV-6081Z/XNV-8081R/XNV-8081Z

8-2-1



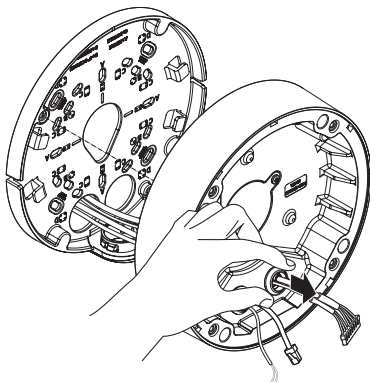
8-2-2



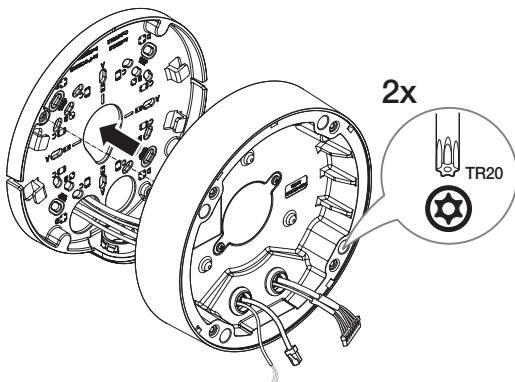
INSTALLATION

XNV-6081/XNV-6081R/XNV-6081Z/XNV-8081R/XNV-8081Z

8-3



8-4

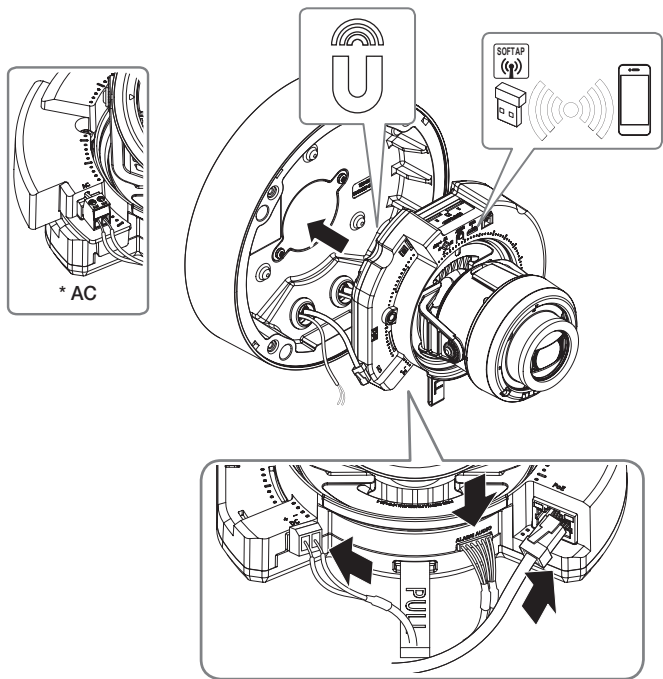


INSTALLATION

XNV-6081/XNV-6081R/XNV-6081Z/XNV-8081R/XNV-8081Z

8-5

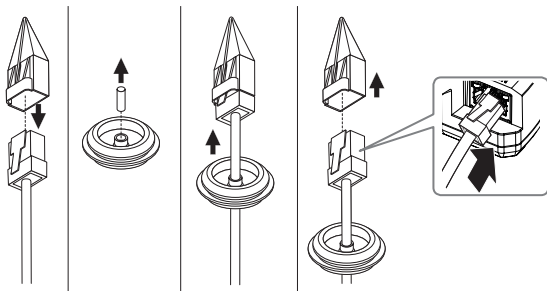
- Not Included : WiFi dongle, OTG adapter



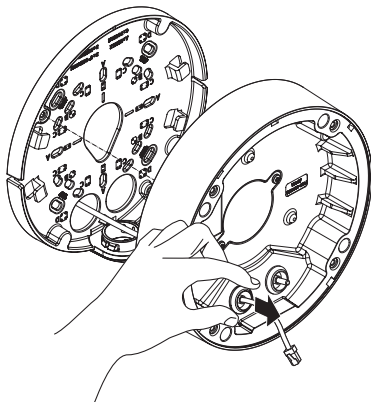
INSTALLATION

XNV-6081RE/XNV-8081RE

- 8-1-1** • Installing LAN cable (IP66) (When using only one CAM)



- 8-1-2**

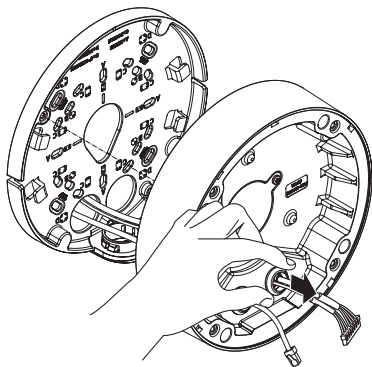


INSTALLATION

XNV-6081RE/XNV-8081RE

8-2

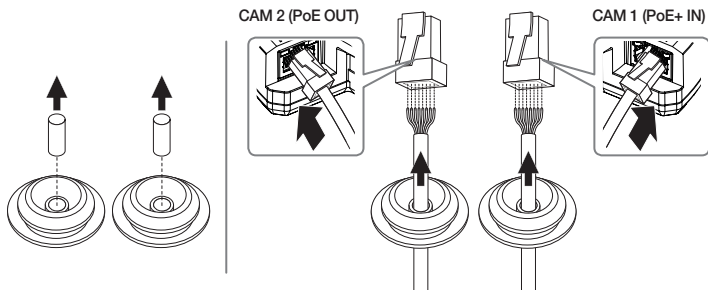
- Installing audio & alarm cables (When using only one CAM)



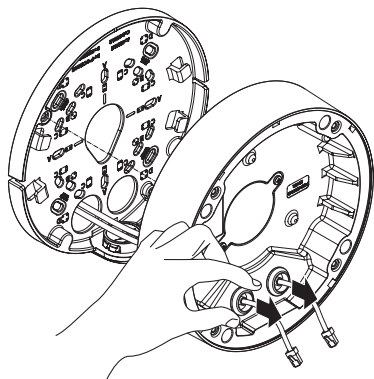
INSTALLATION

XNV-6081RE/XNV-8081RE

- 8-3-1** • Installing LAN cables (When using CAM 1 and CAM 2)



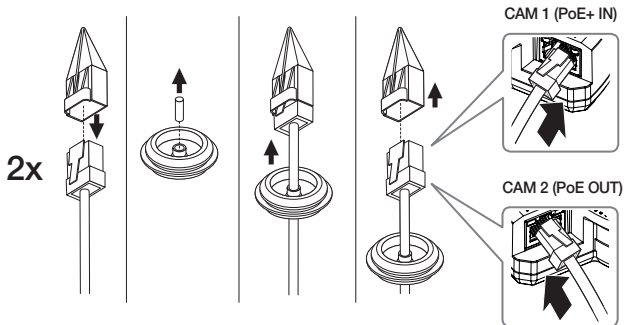
- 8-3-2**



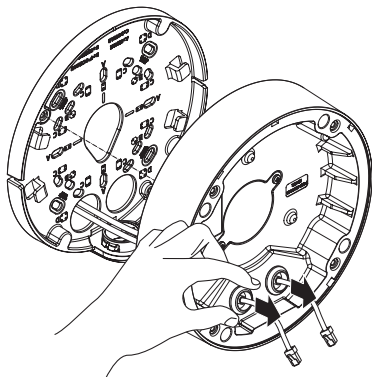
INSTALLATION

XNV-6081RE/XNV-8081RE

- 8-4-1** • Installing LAN cables (IP66) (When using CAM 1 and CAM 2)



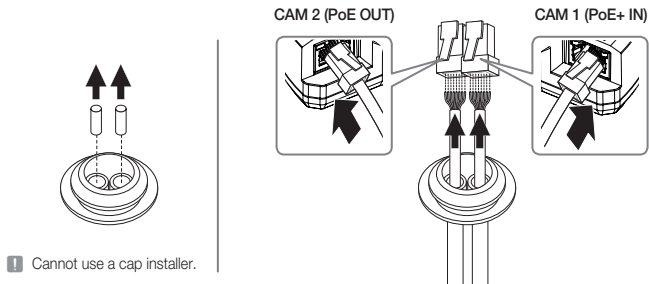
8-4-2



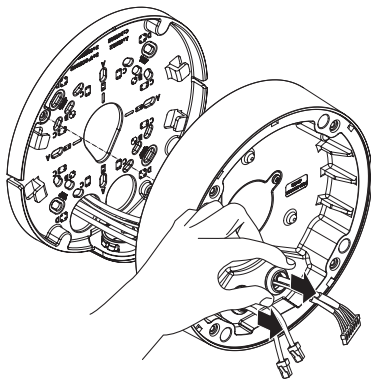
INSTALLATION

XNV-6081RE/XNV-8081RE

- 8-5-1** • Installing audio & alarm cables (When using CAM 1 and CAM 2)



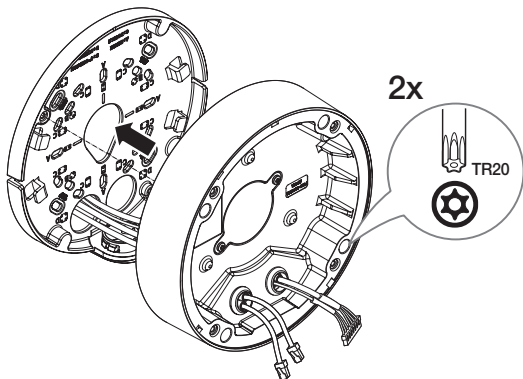
8-5-2



INSTALLATION

XNV-6081RE/XNV-8081RE

8-6

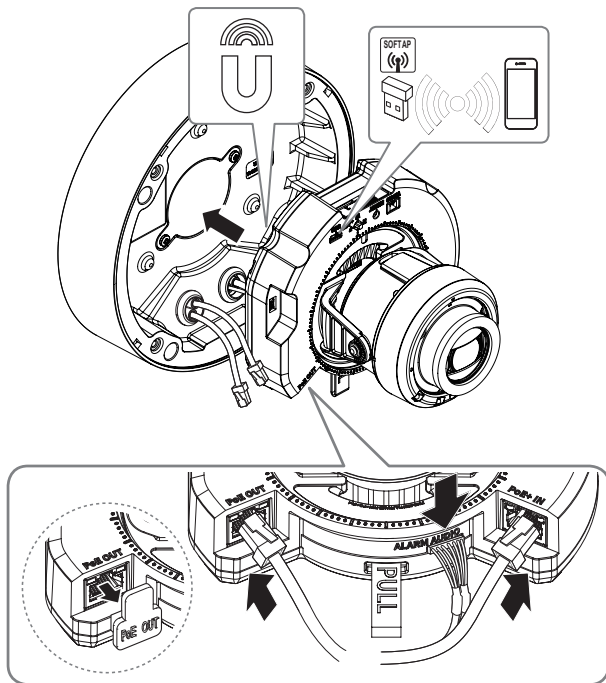


INSTALLATION

XNV-6081RE/XNV-8081RE

8-7

- Not Included : WiFi dongle, OTG adapter

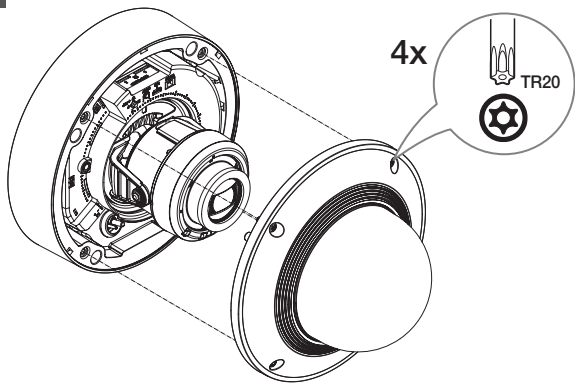


INSTALLATION

9

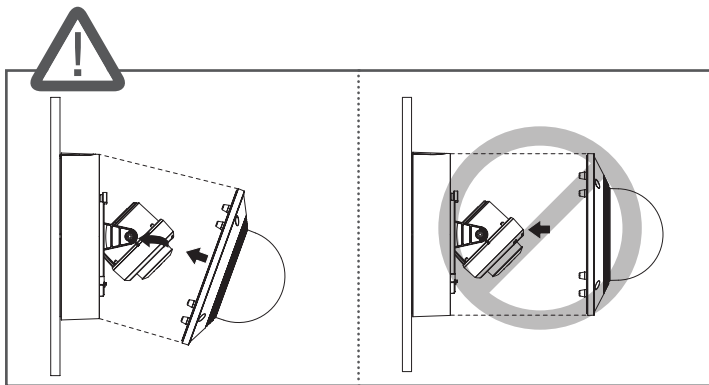


10

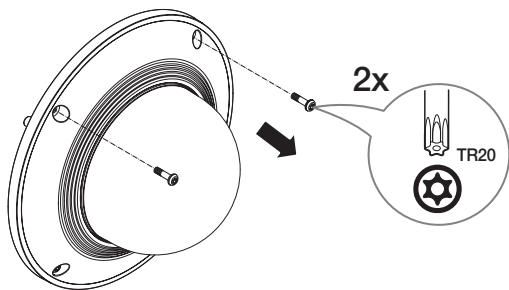


21

INSTALLATION

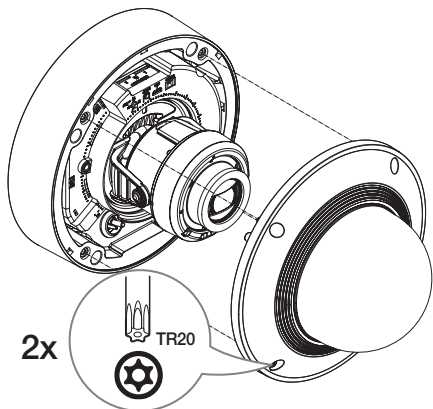


11-1 • Using Weather cap

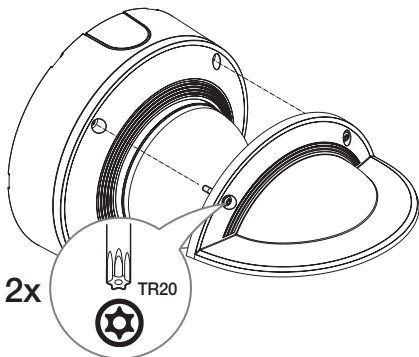


INSTALLATION

11-2

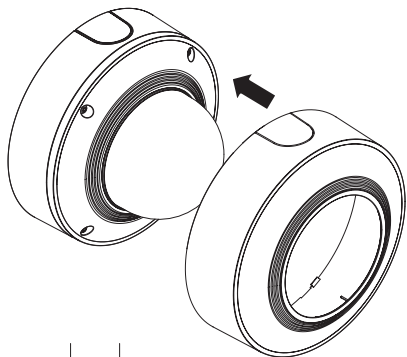


11-3

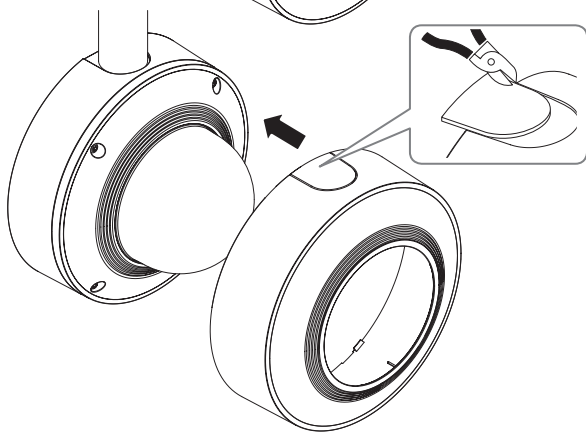


INSTALLATION

- 12-1** • Using Skin cover (XNV-6081/XNV-6081R/XNV-6081Z/XNV-8081R/XNV-8081Z Only)



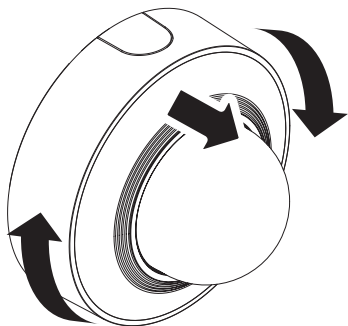
- 12-2**



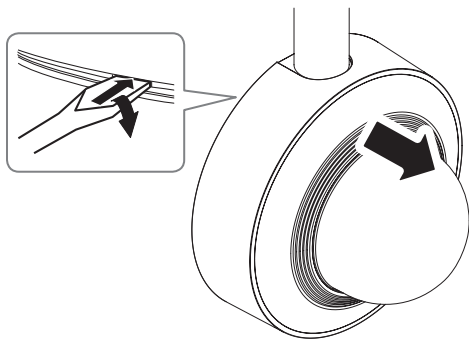
INSTALLATION

13

- Removing Skin cover (XNV-6081/XNV-6081R/XNV-6081Z/XNV-8081R/XNV-8081Z Only)



OR



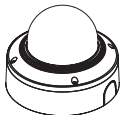
25



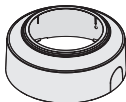
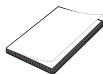
COMPONENT

As for each sales country, accessories are not the same.

- XND-6081RV/XND-6081REV/XND-6081VZ/XND-8081RV/XND-8081REV/XND-6081V/XND-8081VZ
* Module shape may vary by product.

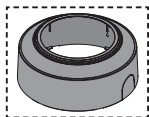


Module



Color : Ivory
XND-6081RV/XND-6081VZ/
XND-8081RV/XND-6081V/
XND-8081VZ Only

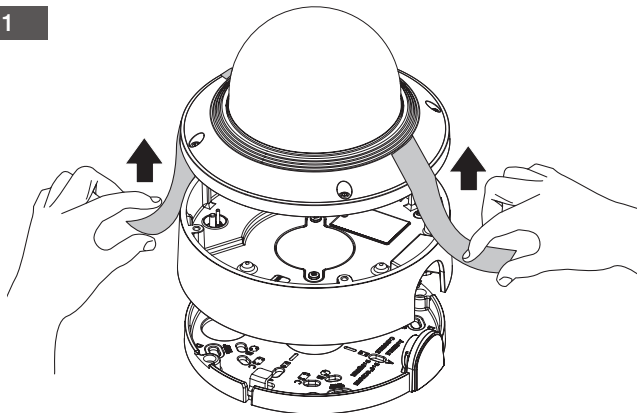
Options (not included)



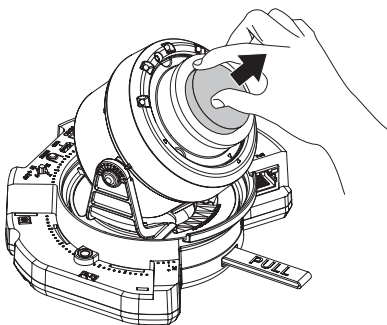
SBC-160B
(Color : Black)

INSTALLATION

1



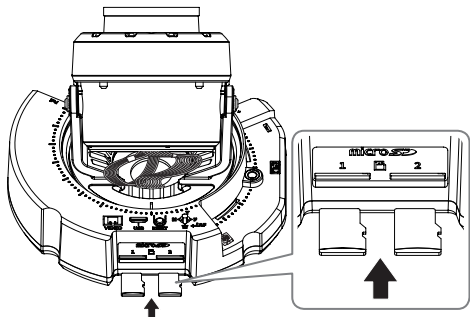
2



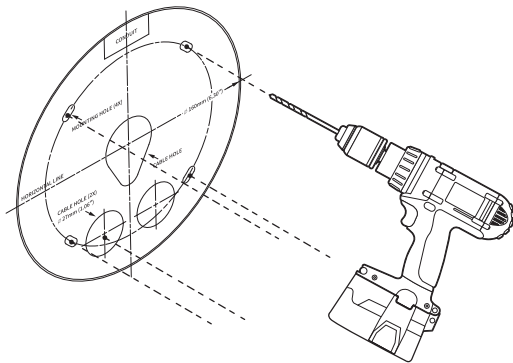
INSTALLATION

3

- Not Included : Micro SD Card



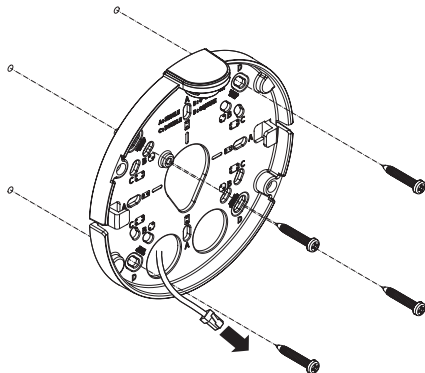
4



INSTALLATION

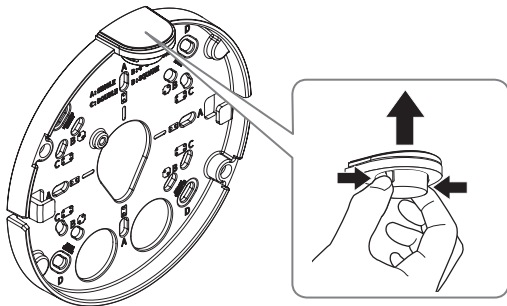
5

- Directly installing on wall/ceiling



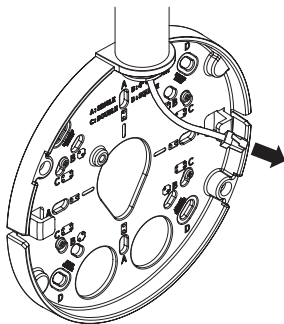
6-1

- Installing using pipe



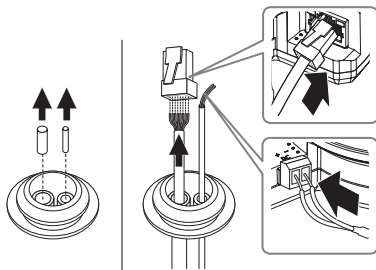
INSTALLATION

6-2



XND-6081RV/XND-6081VZ/XND-8081RV/XND-6081V/XND-8081VZ

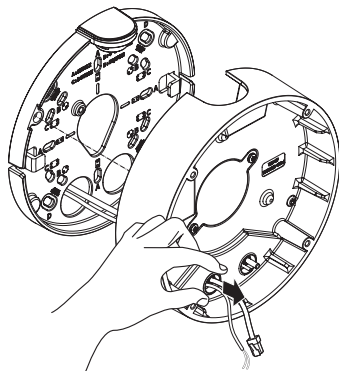
7-1-1 • Installing LAN/power cables



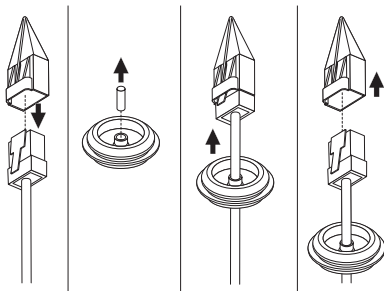
INSTALLATION

XND-6081RV/XND-6081VZ/XND-8081RV/XND-6081V/XND-8081VZ

7-1-2



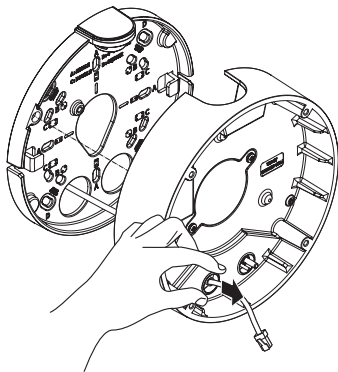
7-2-1



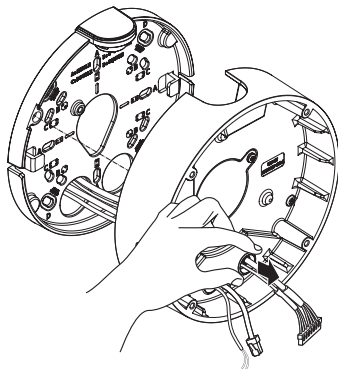
INSTALLATION

XND-6081RV/XND-6081VZ/XND-8081RV/XND-6081V/XND-8081VZ

7-2-2



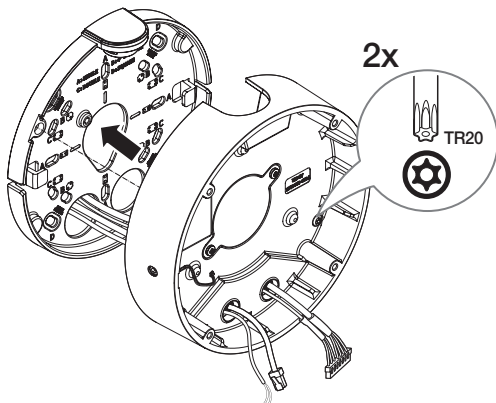
7-3



INSTALLATION

XND-6081RV/XND-6081VZ/XND-8081RV/XND-6081V/XND-8081VZ

7-4

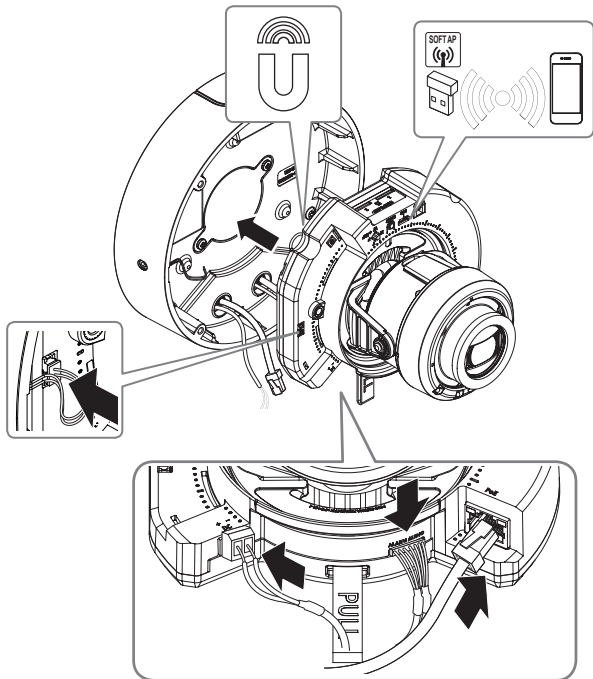


INSTALLATION

XND-6081RV/XND-6081VZ/XND-8081RV/XND-6081V/XND-8081VZ

7-5

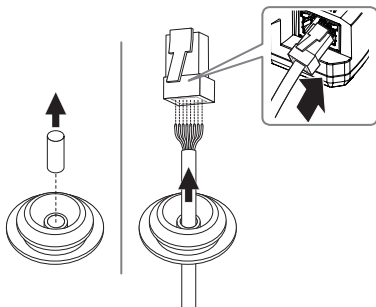
- Not Included : WiFi dongle, OTG adapter



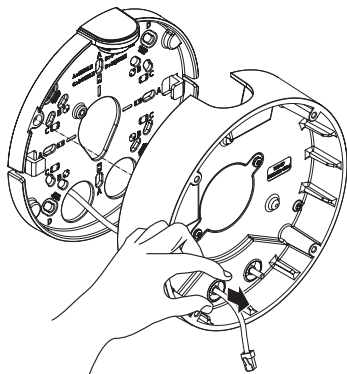
INSTALLATION

XND-6081 REV/XND-8081 REV

- 7-1-1** • Installing LAN cable (When using only one CAM)



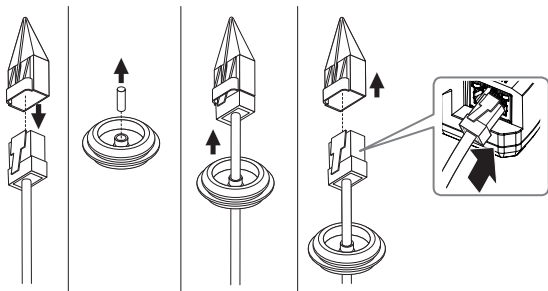
- 7-1-2**



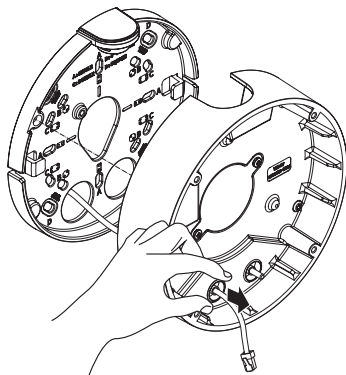
INSTALLATION

XND-6081 REV/XND-8081 REV

- 7-2-1** • Installing LAN cable (When using only one CAM)



- 7-2-2**

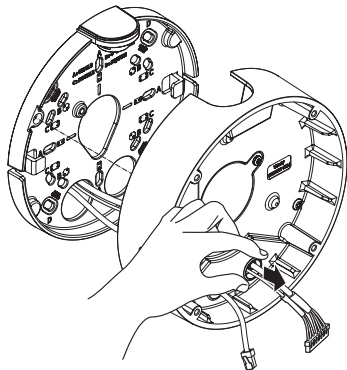


INSTALLATION

XND-6081 REV/XND-8081 REV

7-3

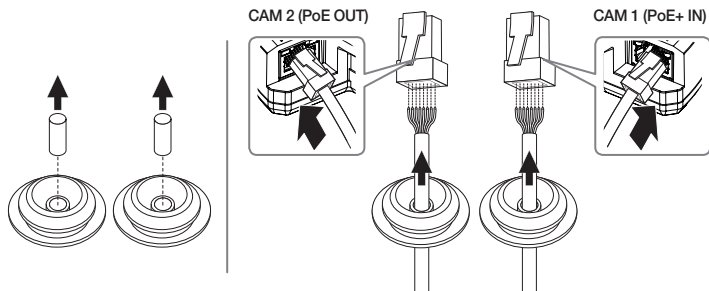
- Installing audio & alarm cables (When using only one CAM)



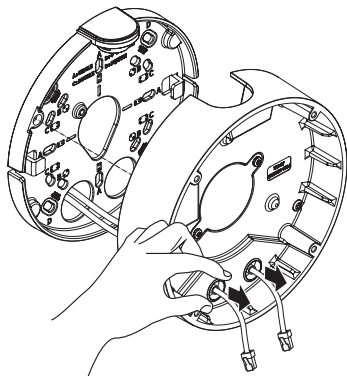
INSTALLATION

XND-6081 REV/XND-8081 REV

- 7-4-1** • Installing LAN cables (When using CAM 1 and CAM 2)



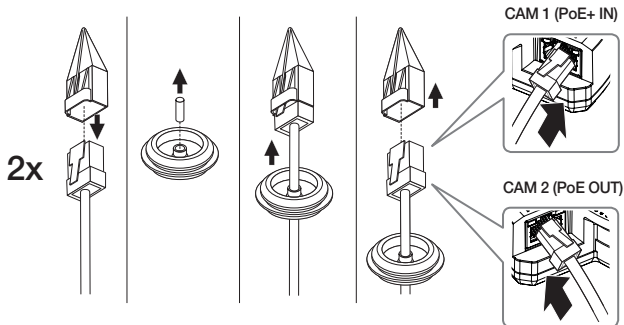
- 7-4-2**



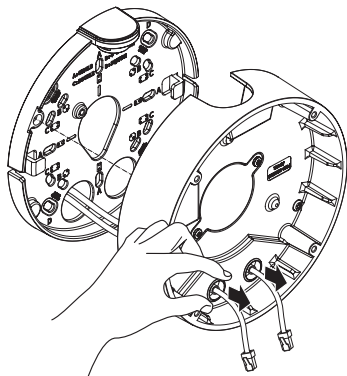
INSTALLATION

XND-6081 REV/XND-8081 REV

- 7-5-1** • Installing LAN cables (When using CAM 1 and CAM 2)



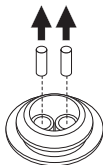
- 7-5-2**



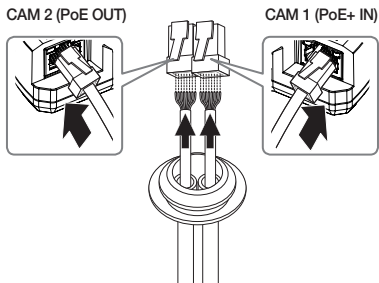
INSTALLATION

XND-6081 REV/XND-8081 REV

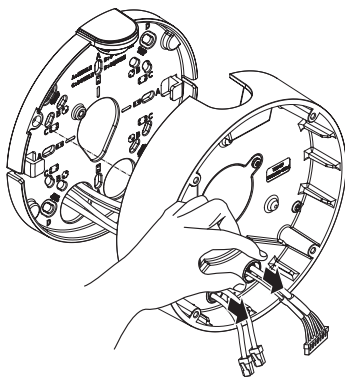
- 7-6-1** • Installing audio & alarm cables (When using CAM 1 and CAM 2)



I Cannot use a cap installer.



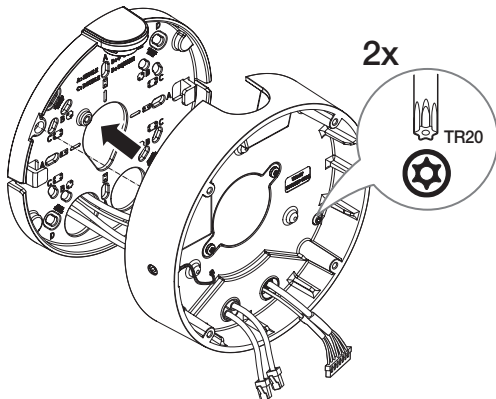
7-6-2



INSTALLATION

XND-6081 REV/XND-8081 REV

7-7

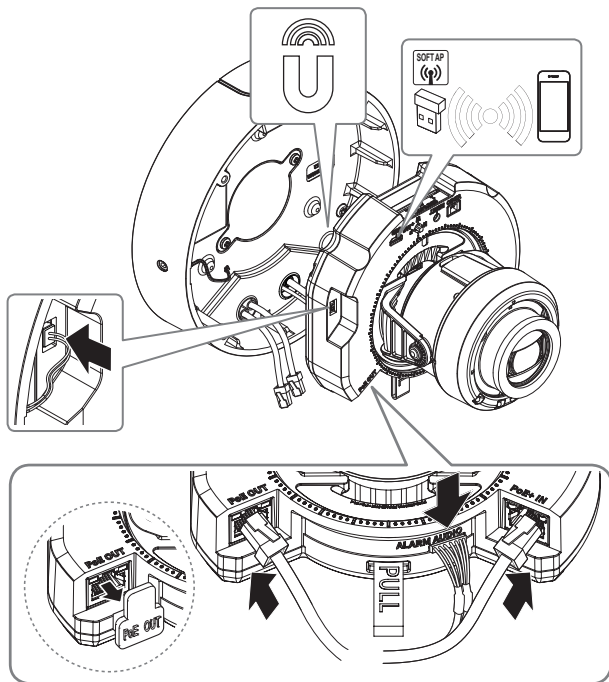


INSTALLATION

XND-6081 REV/XND-8081 REV

7-8

- Not Included : WiFi dongle, OTG adapter

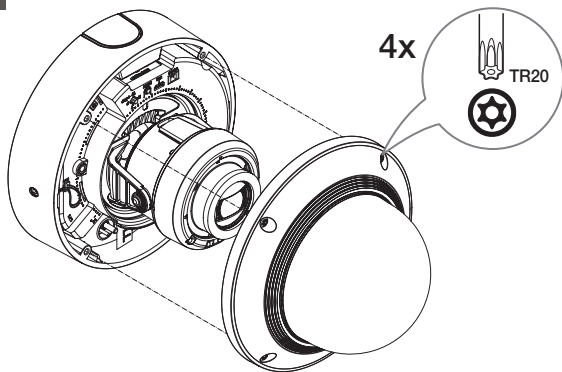


INSTALLATION

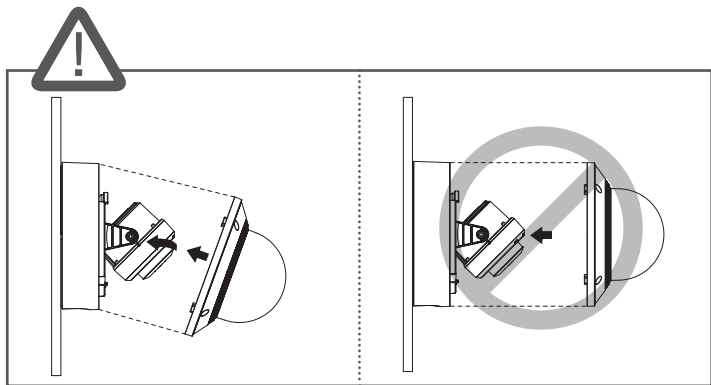
8



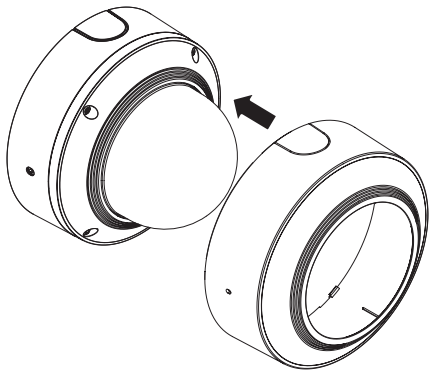
9



INSTALLATION

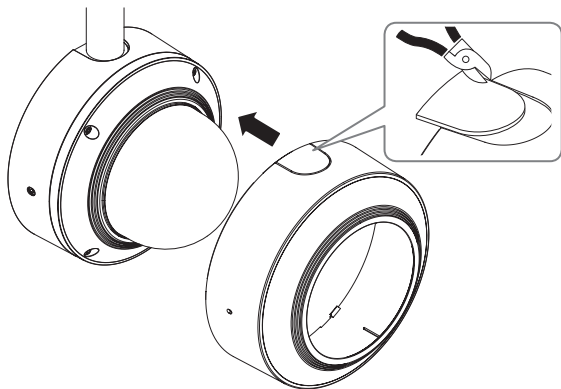


- 10-1** • Using Skin cover (XND-6081RV/XND-6081VZ/XND-8081RV/XND-6081V/XND-8081VZ Only)



INSTALLATION

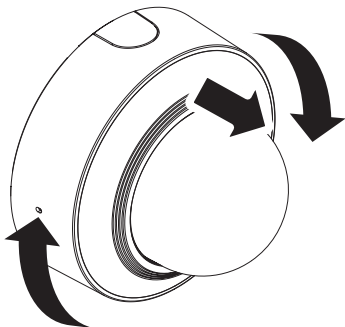
10-2



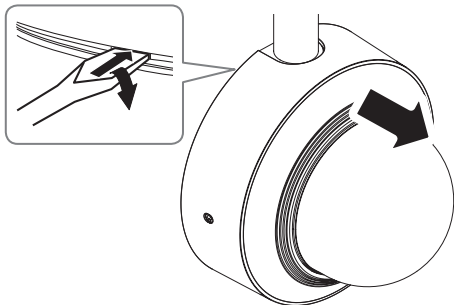
INSTALLATION

11

- Removing Skin cover (XND-6081RV/XND-6081VZ/XND-8081RV/XND-6081V/XND-8081VZ Only)



OR



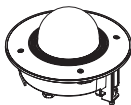


COMPONENT

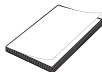
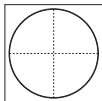
As for each sales country, accessories are not the same.

- XND-6081F/XND-6081FZ/XND-6081RF/XND-8081FZ/XND-8081RF

* Module shape may vary by product.

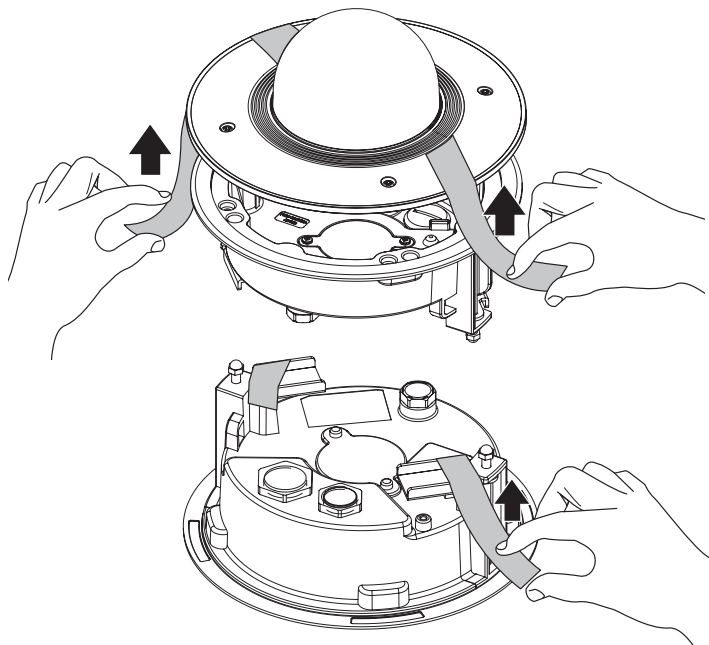


Module



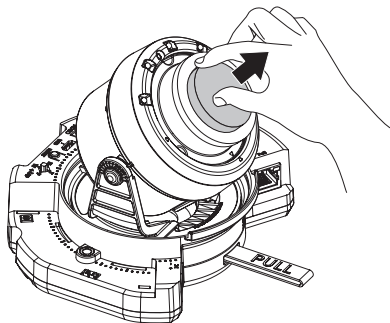
INSTALLATION

1



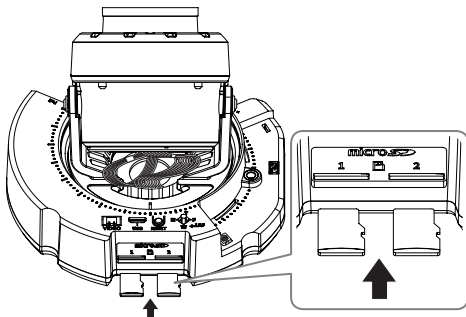
INSTALLATION

2



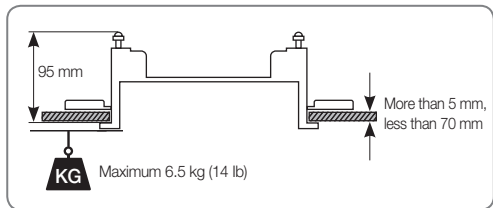
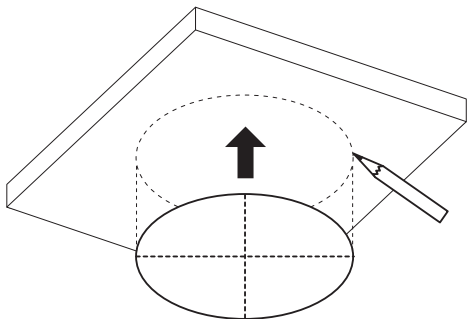
3

- Not Included : Micro SD Card



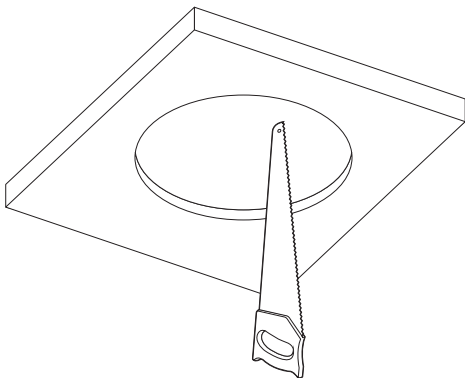
INSTALLATION

4



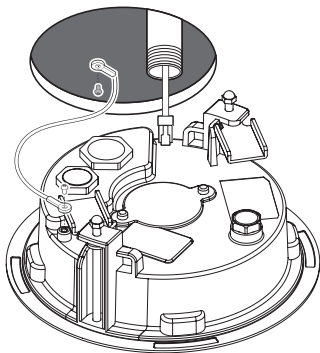
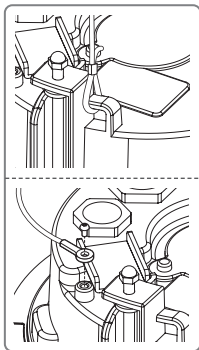
INSTALLATION

5



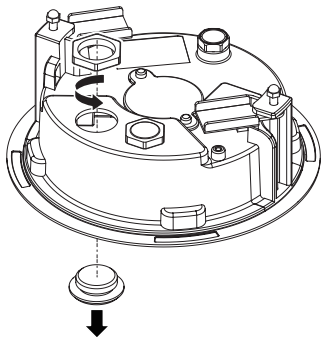
6

• Not Included : Safety Cable

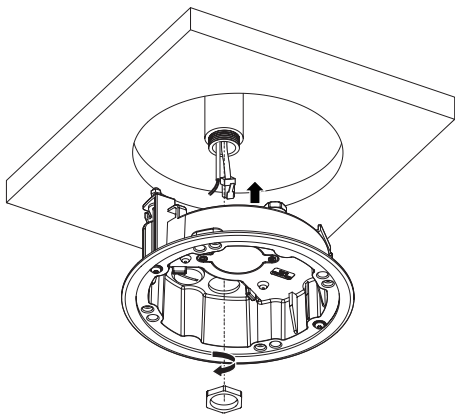


INSTALLATION

7



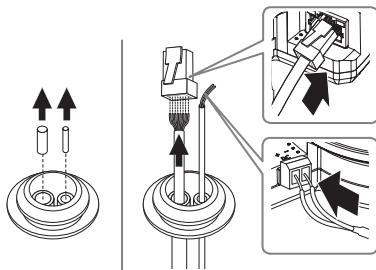
8



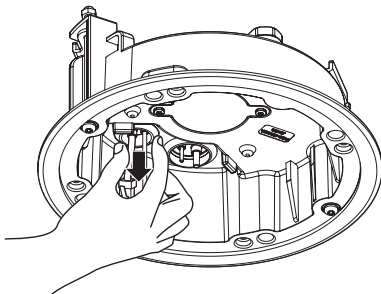
INSTALLATION

9-1

- Installing LAN/power cables

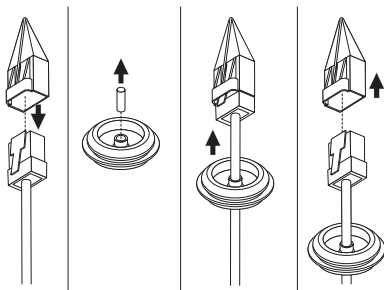


9-2

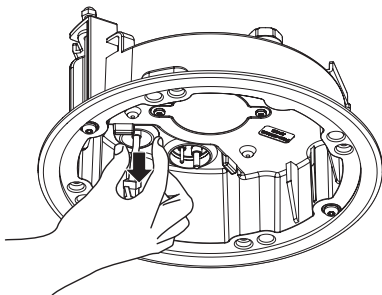


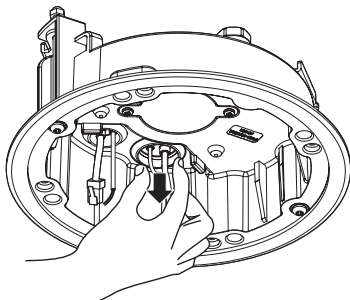
INSTALLATION

10-1



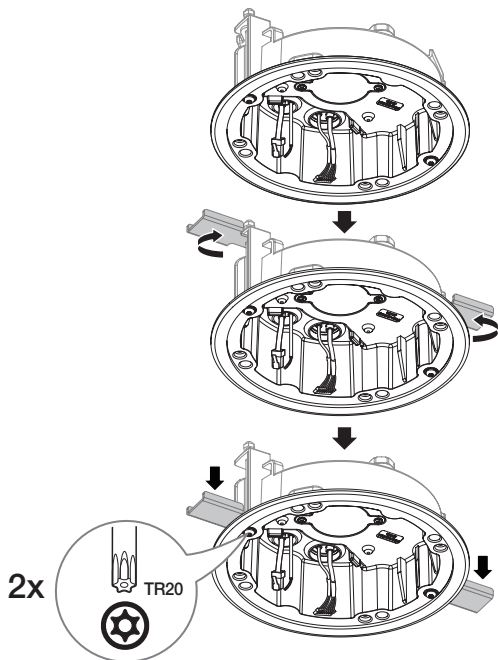
10-2





INSTALLATION

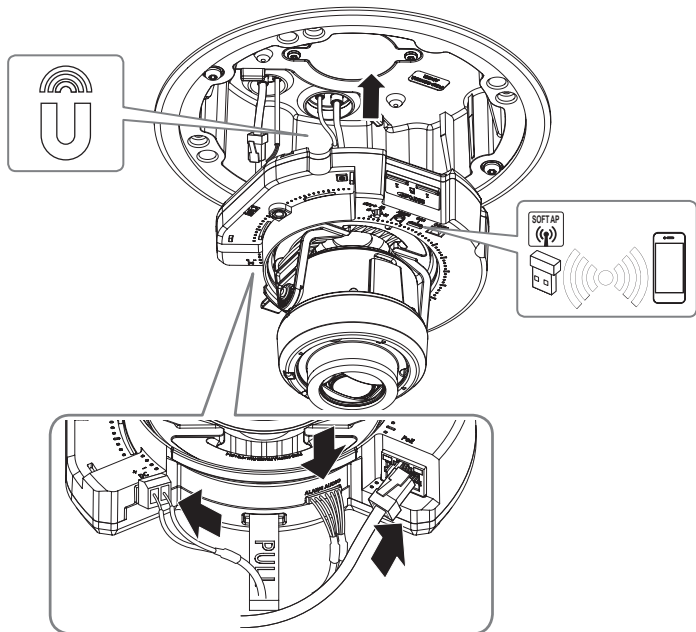
12



INSTALLATION

13

- Not Included : WiFi dongle, OTG adapter

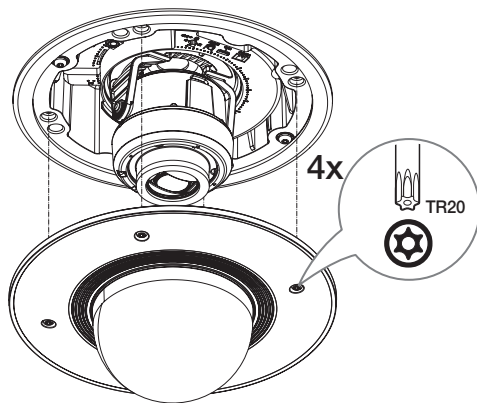


INSTALLATION

14

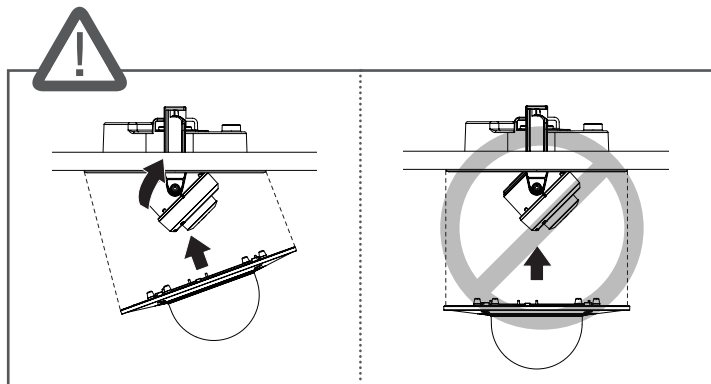


15



60

INSTALLATION

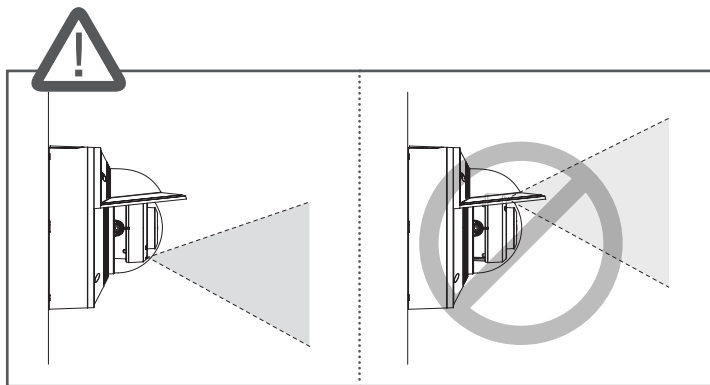
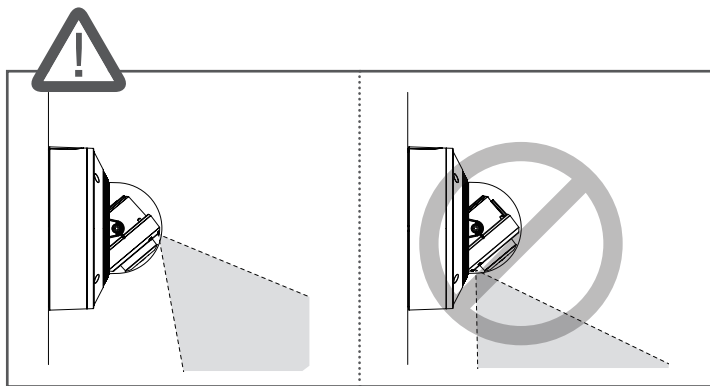


16



61

INSTALLATION



PASSWORD SETTING

When you access the product for the first time, you must register the login password.

Administrator password change

New password

Confirm new password

- If the password is 8 to 9 characters long, then it must include a combination of at least 3 of the following character types: alphanumerical letters with uppercase or lowercase, numbers, and special characters.
- If the password is longer than 10 characters, then it must include a combination of at least 2 of the following character types: alphanumerical letters with uppercase or lowercase, numbers, and special characters.
- User name may not be used as password.
- The following special characters can be used: ~!@#\$%^&*()_-=+{}[];:'.?
- You may not use more than 4 consecutive characters. (example: 1234, abcd, etc.)
- You may not use the same character 4 or more times consecutively. (example: 1111, aaaa, etc.)

Apply



- For a new password with 8 to 9 digits, you must use at least 3 of the following: uppercase/lowercase letters, numbers and special characters. For a password with 10 to 15 digits, you must use at least 2 types of those mentioned.
 - Special characters that are allowed: ~!@#\$%^&*()_-=+{}[];:'./?
- For higher security, you are not recommended to repeat the same characters or consecutive keyboard inputs for your passwords.
- If you lost your password, you can press the [RESET] button to initialize the product. So, don't lose your password by using a memo pad or memorizing it.

LOGIN

Whenever you access the camera, the login window appears.

Enter the User ID and password to access the camera.

- 1 Enter **"admin"** in the <User Name> input box.
- 2 Enter the password in the <Password> input field.
- 3 Click [Sign in].

CONNECTING TO WiFi

Camera setting

- 1 Connect OTG adapter (5-pin) and Wi-Fi dongle to the micro USB terminal.

Smartphone setting

- 1 Install the Wisenet Installation application.
- 2 Select the camera SSID after turning on the WiFi.
- 3 Run the Wisenet Installation application.
- 4 When you log in to the camera, the video will be connected.
 - The video will be played without being logged in during the initial connection.
- 5 You can adjust angle of view while watching the video through smartphone.



Подлежит использованию по назначению
в нормальных условиях
Срок службы : 7 лет.

Türkiye Distribütörü

EDS Elektronik Destek Sanayi ve Ticaret Ltd. Şti.

Meclis Mah. Teraziler Cad. Hayran Sk. (Eskisi Kılıç Sk.) No: 4 Sancaktepe / İstanbul / Türkiye

Tel +90.216.313.25.15 Faks +90.216.528.45.98

Koyuncu Elektronik Bilgi İşlem Sistemleri San. ve Dış. Tic. A.Ş.

Emek Mah. Ordu Cad. No:18 Sancaktepe / İstanbul / Türkiye

Tel +90.216.528.88.88 Faks +90.216.313.18.18

NFS Teknoloji ve Otomasyon Sistemleri San. Ve Tic. Ltd. Şti.

Cumhuriyet Mah Şair M.Akif Ersoy Sk. No:36 Üsküdar / İstanbul / Türkiye

Tel +90.216.505.82.28 Faks +90.216.505.82.29

Sensonet Teknoloji Elekt. ve Biliş. Hiz. San. ve Tic. Ltd. Şti.

Ramazanoğlu Mah. Transtek Cad. No: 2 Pendik / İstanbul / Türkiye

Tel +90.216.999.49.49 Faks +90.212.381.61.02

ENTES ELEKTRONİK CİHAZLAR İMALAT VE TİC. A.Ş.

Dudullu Org.San.Bölg. 1. Cad. No:23 34776 Ümraniye - İstanbul / Türkiye

Tel +90.216.313.01.10 Faks +90.216.314.16.15

Cihazın Ticaret Bakanlığınca önerilen ortalama ömrü

Cihazın EEE yönetmeliklerine uygun olduğuna benzer beyan

한화테크윈(주)

경기도 성남시 분당구 판교로 319번길 6 (삼평동 701)

영 업 TEL 070-7147-8771~9 A/S 및 기술문의 1588-5772

부산영업소 TEL 051-796-3216

대구영업소 TEL 053-742-3098

광주영업소 TEL 062-941-9559

대전영업소 TEL 042-489-9840

www.hanwha-security.com

Head Office

6, Pangyo-ro 319 beon-gil, Bundang-gu, Seongnam-si,

Gyeonggi-do, 463-400 Rep. of KOREA

Tel : +82.70.7147.8753 Fax : +82.31.8018.3740

www.hanwha-security.com

Hanwha Techwin America

500 Frank W. Burr Blvd. Suite 43 Teaneck, NJ 07666

Toll Free : +1.877.213.1222 Direct : +1.201.325.6920

Fax : +1.201.373.0124

www.hanwhasecurity.com

Hanwha Techwin Europe

Heriot House, Heriot Road, Chertsey, Surrey, KT16 9DT, United Kingdom

Tel : +44.1372.235663 Fax : +44.1932.57.8101

www.hanwha-security.eu

Hanwha Techwin(Tianjin) Co.Ltd

Room 3F2C302, microelectronics investment service center, no.1 qianxuesen road,

microelectronics industrial park, Tianjin economic and technological development area, China

联系电话(免费客服热线) : 800.818.1212 / 400.690.6677

www.hanwha-security.cn

Hanwha Techwin Middle East FZE

JAFZA View 18, 20th floor, office 2001, 2002, 2003, Downtown Jebel Ali,

Dubai, United Arab Emirates

www.hanwha-security.com

Hanwha Techwin Vietnam Hanoi Office

28th Floor, Handico Building, Pham Hung Street, Me Tri ward, Nam Tu Liem District, Hanoi City, Vietnam

Tel : +84.91.982.40.88

www.hanwha-security.com

